

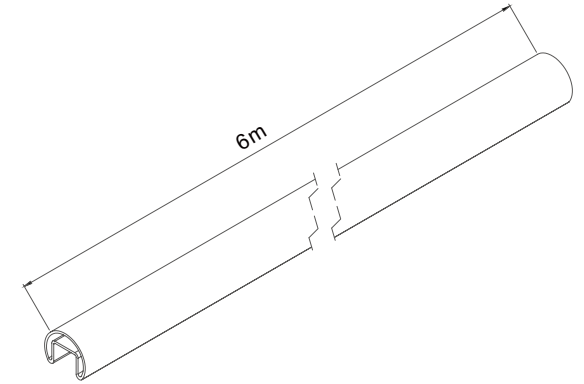
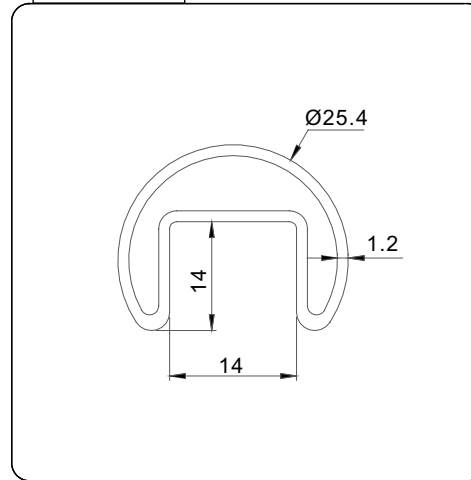
Drawing ID

TR-R25X

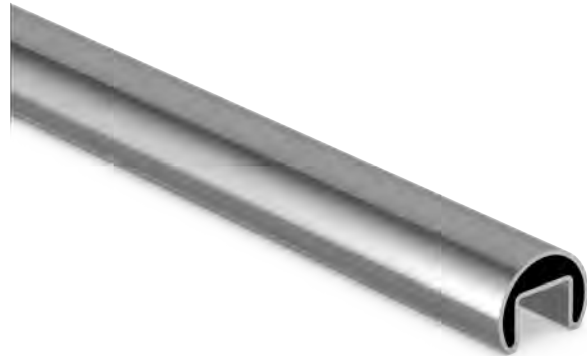
**Product Info.**

Finish	Code
Polish	TR-R25M
Satin	TR-R25S
Texture Black	TR-R25B

**Dimensions**



**Instructions**



**MATERIAL:**

316L Stainless Steel

**CATALOGUE AND DESCRIPTION:**

- > Railing Systems
- > TR-R25 Series
- > Ø25.4mm Round Top Rail

**NOTES:**

This drawing and or specification is the property of Silver Stone Hardware Pty Ltd - and must be returned to them on request. Unauthorised use may result in Legal Action. Its contents must not be made public, nor copied, nor used directly or indirectly in any way.

**SILVER STONE HARDWARE PTYLID**

56-62 Bryant Street, Padstow, NSW 2211  
 T: (02) 9792 2955 M: 0452 526 680  
[www.silverstonehardware.com.au](http://www.silverstonehardware.com.au)  
[sales@silverstonehardware.com.au](mailto:sales@silverstonehardware.com.au)